

SELF PRIMING MONOSET PUMP Mini Series



Crompton Greaves Self Priming Pumps 'MINI MASTER', 'MINI STAR' AND 'MINI MARVEL' Series - are specially designed and developed to meet water requirements of various needs such as residential bungalows, Flats, Lawns, Gardens, Hotels, Clubs etc. Years of experience, superior design and better manufacturing techniques have resulted into development of these pumps. Strict quality assurance standards during the total process trouble free and reliable operation requiring minimum maintenance.

Features

- Self priming upto 6.0 metres at mean sea level.
- Wide voltage operation from 180 to 240 volts.
- Unique motor design capacitor start and run (PSC) type eliminating centrifugal switch.
- Aluminum pressure die cast motor body.
- Bronze Impeller.
- High quality and long life mechanical seal.
- Fitted with Thermal Overload Protector.
- Compact, Sleek look.

Applications

- Used for water supply to Residential Bungalows, Garages, Flats, Dairies, Hotels, Laundries, Clubs, Hospitals, etc.
- Gardening and small plants
- Lawn sprinklers
- Booster applications
- Small farms

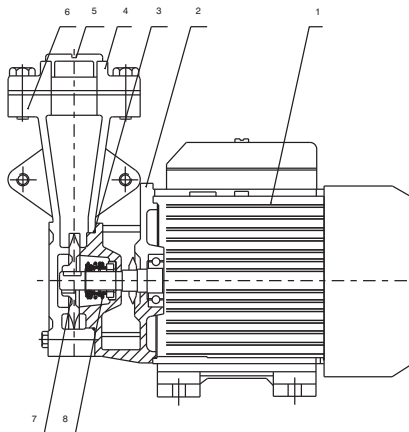
Standard Specifications

- **Range** : 0.094 to 0.75 kW (0.125 to 1.5 HP)
- **Supply** : 220 Volts in 1 Phase and 415 Volts in 3 phase at 50 Hz AC.
- **Pipe Size**: 13 x 13 to 25 x 25 mm.
- **Total Head** : 3 to 54 metres.
- **Capacity** : Upto 5200 LPH.
- **Liquid** : Clear water
- **Operating temperature** : Suitable for 65°C.
- **Rotation** : Clockwise when viewed from motor end.

Electric Motor

- TEFC, 2 Pole (3000 RPM Syn. Speed) Electric Motor for 1/3 Phase, 220/415_Volts, 50 Hz AC Supply. Suitable for ambient temperature upto 40°C
- Special Motor with different enclosures, supply voltage, frequency and ambient can be offered on request.

CONSTRUCTION



No.	PART	MATERIAL
1	Motor	-
2	Adaptor	Graded Cast Iron
3	'O' Ring	Nitrile Rubber
4	Suction/Delivery Flanges	Graded Cast Iron
5	Suction/Delivery Cap	Plastic
6	Volute Casing	Graded Cast Iron
7	Impeller	Graded Cast Iron
8	Mechanical Seal	-

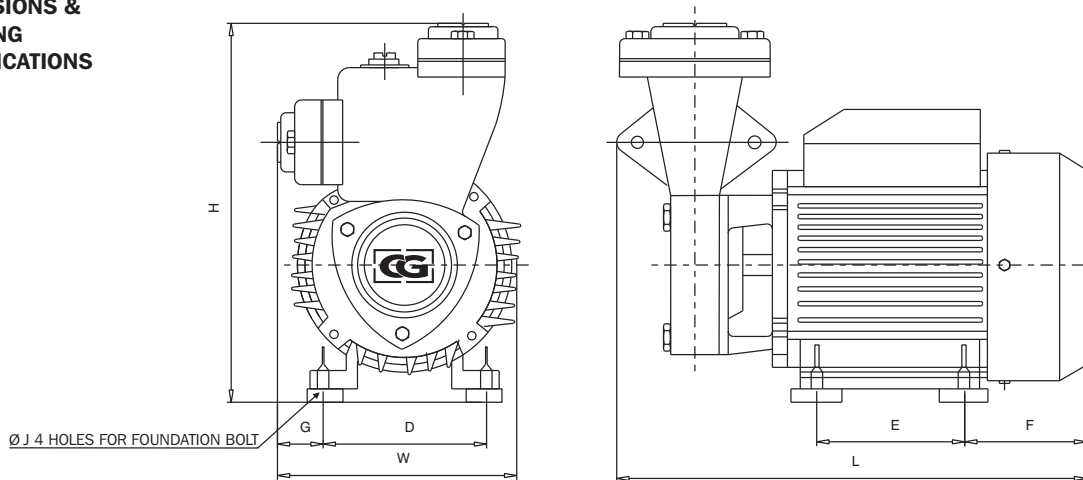
PERFORMANCE CHART

Rating	kW (HP)	Pipe size Suc x Del mm	Total Head in Metres																							
			3	6	9	12	15	16.5	18	19.5	21	24	25.5	27	28.5	30	33	36	39	42	45	48	51	54		
			Discharge in LPH																							
MINI XTRAA	1.1 (1.5)	25x25												5200	5000	4850	4700	4500	4170	3820	3500	3150	2800	2480	2120	1800
MINIMASTER I	0.75 (1.0)	25x25		4000	3780	3560	3340	3230	3120	3010	2900	2690	2580	2470	2360	2250	2030	1810	1590	1370	1150	950				
MINIMASTER I(3PH)	0.75 (1.0)	25x25		4000	3780	3560	3340	3230	3120	3010	2900	2690	2580	2470	2360	2250	2030	1810	1590	1370	1150	950				
MINIMASTER II	0.37 (0.5)	25x25		2600	2350	2100	1860	1730	1610	1480	1350	1100	1000	850	730	600										
MINIMASTER II(3PH)	0.37 (0.5)	25x25		2600	2350	2100	1860	1730	1610	1480	1350	1100	1000	850	730	600										
MINIMASTER III	0.18(0.25)	20x20	1950	1720	1490	1260	1040	920	810	700																
MINIMASTER IV	0.094(0.125)	13x13	1650	1370	1090	810	525																			
MINISTAR I	0.75 (1.0)	25x25		3350	3150	2950	2750	2650	2550	2450	2350	2150	2050	1940	1850	1750	1550	1350	1150	950	750					
MINISTAR II	0.37 (0.5)	25x25		2400	2120	1860	1590	1460	1320	1200	1060	800	660	530	400											
MINISTAR III	0.18(0.25)	20x20	1860	1610	1360	1110	860	740	600																	
MINIMARVEL I	0.75 (1.0)	25x25		3000	2800	2600	2400		2200		2000	1800	1700	1600	1500	1400	1200	1000	750							
MINIMARVEL II	0.37 (0.5)	25x25		2000	1730	1460	1200	1060	930	800	660	400														
MINIMARVEL II(BR)	0.37 (0.5)	25x25		2000	1730	1460	1200	1060	930	800	660	400														
MINIMAJESTIC II	0.37 (0.5)	25x25		2000	1730	1460	1200	1060	930	800	660	400														
MINI WIN II	0.37 (0.5)	25x25		2600	2220	1910	1800	1710	1570	1450	1370	1150	910	840	570											
MINI ELEGNCE II	0.37 (0.5)	25x25		2200	1920	1640	1370	1230	1090	950	810	540	400													

Notes:-

1. The above performance is based on rated voltage (220+6%-15% for 1 Phase, 415+6%-15% for 3 Phase) and rated frequency (50Hz±3%).
2. The above performance is subjected to tolerances as per relevant Indian Standards.
3. Pipe sizes mentioned in mm are nearest conversion of inches, but actual pipe threadings are provided as per 'BSP' Standards
4. Total head = Static Suction + Static Delivery + Losses in pipes, bends etc.
5. The self priming time depends upon static suction, installation conditions and the duration of use of the pump.

DIMENSIONS & SHIPPING SPECIFICATIONS



Rating	Pump Dimensions (mm)								Shipping Specifications			
									Qty Packing	Weight in Kg		Volume Cu.M. Master Package
	L	W	H	D	G	E	F	J		Nett/Qty	Gross/Qty	
MINI XTRAA	370	170	252	125	43	100	92	14 x 10	1	18.92	21.25	0.025
MINIMASTER I	340	185	245	125	43	100	92	14 x 10	1	15.10	17.40	0.023
MINIMASTER I(3PH)	340	185	245	125	43	100	92	14 x 10	1	15.00	17.30	0.023
MINIMASTER II	275	150	232	112	35	90	75	Ø9	2	9.60	10.79	0.034
MINIMASTER II(3PH)	275	150	232	112	35	90	75	Ø9	2	9.55	10.74	0.034
MINIMASTER III	235	140	195	100	33	79	60	Ø7.5	2	5.93	6.83	0.029
MINIMASTER IV	210	150	150	100	33	52	60	Ø7.5	2	5.20	5.84	0.020
MINISTAR I	285	170	245	112	38	90	77	Ø9	1	11.82	13.63	0.019
MINISTAR II	270	150	215	112	38	90	75	Ø9	2	8.85	9.89	0.034
MINISTAR III	240	150	195	100	33	80	60	10 x 8	2	5.75	6.55	0.025
MINIMARVEL I	275	150	225	112	38	90	68	Ø9	1	10.60	12.00	0.017
MINIMARVEL II	250	140	207	100	20	80	64	10 x 8	2	7.59	8.40	0.030
MINIMARVEL II (BR)	250	140	207	100	20	80	64	10 x 8	2	7.59	8.40	0.030
MINIMAJESTIC II	250	140	207	100	20	80	64	10 x 8	2	7.59	8.40	0.030
MINI WIN II	260	150	232	112	40	66	75	Ø10	2	8.90	9.97	0.034
MINI ELEGNCE II	252	150	190	112	30	66	75	Ø10	2	7.64	8.50	0.026

All flanges are with 'BSP' threads.