

SELF PRIMING MONOSET PUMP - 'DMB' SERIES



Crompton Greaves Self Priming Monoset Pumps - 'DMB' series incorporate superior design to make them robust and long lasting. This range of electric driven pumps, covers a popular section of head and discharge requirements.

Features

- Monoset construction.
 - Self priming upto 8.0 metres at mean sea level.
- High quality and long life
Mechanical seal.
- Electric motor for single phase or three phase supply and with TEFC or DP enclosure.
- Capacitor Start Induction Run
Single phase Motor for high torque.

Applications

- Water supply for Bungalows, Buildings, Flats, Hotels, Garages, Laundries and Industries.
- Car washing.
- Booster application.
- Small farms.
- Lawn sprinklers.
- Ornamental Fountains.
- Water circulation in solar heater systems.
- Auxiliary equipment to machinery.

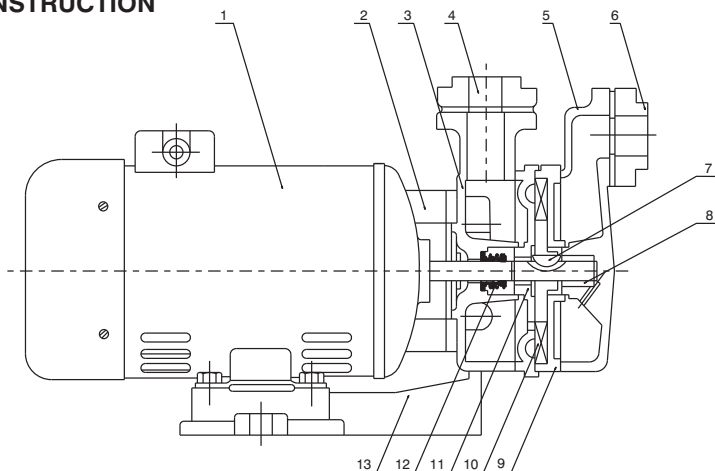
Standard Specifications

- **Range :-** 0.18 kW to 1.5 kW (0.25 to 2.0 HP).
- **Supply :-** 225 Volts for 1 phase and 415 Volts for 3 phase, 50Hz, AC.
- **Pipe size :-** 25 x 25 mm and 40 x 40 mm.
- **Total head :-** upto 45 metres.
- **Capacity :-** Upto 8000 LPH.
- **Liquid:-** Clear water
- **Rotation :-** Clockwise as viewed from motor end.
- **Operating temperature :-** Suitable upto 65°C water.

Electric Motor

- Dripproof/Totally Enclosed Fan Cooled, 4 pole (1500 RPM Syn. Speed) Electric Motor for 1 phase, 225Volts or 3 phase, 415 Volts; 50 Hz, AC supply, suitable for ambient temperature upto 40°C.
- Special motors with different enclosures, supply voltages, frequency and ambient can be offered on request.

CONSTRUCTION



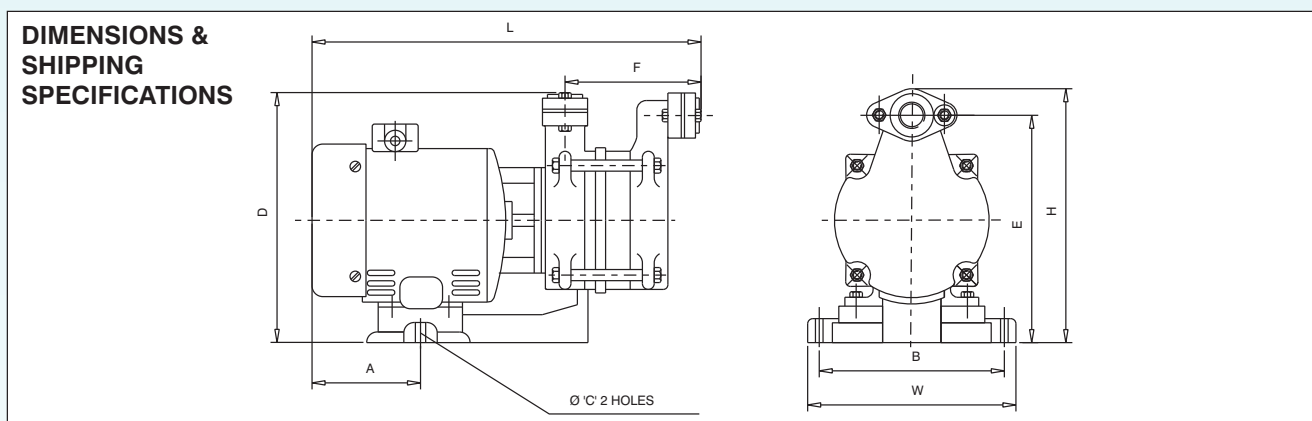
No.	PART	MATERIAL
1	Motor	-
2	Adaptor	Graded Cast Iron
3	Delivery Chamber	Graded Cast Iron
4	Delivery Flange	Graded Cast Iron
5	Suction Chamber	Graded Cast Iron
6	Suction Flange	Graded Cast Iron
7	Impeller Key	Carbon Steel
8	Shaft	Stainless Steel (AISI 410)
9	Suction Casing	Graded Cast Iron
10	Impeller	High Tensile Brass (HTB1)
11	Delivery Casing	Graded Cast Iron
12	Mechanical Seal	-
13	Base Plate	Graded Cast Iron

PERFORMANCE CHART

Rating	Motor kW (HP)	Pipe Size Suc. x Del. (mm)	Total Head In Metres															
			6	7.5	9	12	15	16.5	18	21	24	27	30	33	36	39	42	45
			Discharge In LPH															
DMB025DG	0.18 (0.25)	25 x 25		1565	1455	1145	725	460										
DMB05D/G DMB05D(3 Ph)	0.37 (0.5)	25 x 25	2860	2750	2650	2420	2180	2060	1940	1650								
DMB10DG/S/CS/L DMB10DG (3Ph) DBM10ACS/CSG	0.75 (1.0)	25 x 25							2800	2540	2300	2080	1860	1640	1440	1240	1060	880
DMB20	1.5 (2.0)	40 x 40			8000	7700	7400	7200	7000	6600	6300							

Notes :-

1. The above performance is based on rated voltage (220+6%-15% for 1 Phase, 415+6%-15% for 3 Phase) and rated frequency (50Hz±3%).
2. The above performance is subjected to tolerances as per relevant Indian Standards.
3. Pipe sizes mentioned in mm are nearest conversion of inches, but actual pipe threadings are provided as per 'BSP' Standard.
4. Total Head = Static Suction + Static Delivery + Losses in pipes, bends etc.
5. The self priming time depends upon static suction, installation conditions and the duration of use of the pump.
6. Suffix 'D' indicates pump with Drip Proof Motor, otherwise with TEFC Motor.
7. Suffix '(3Ph)' indicates Pump for three phase supply, otherwise for single phase supply.



Rating	Dimensions (mm)									Shipping Specifications		
	A	B	C	D	E	F	L	W	H	Net Weight Kg.	Gross Weight Kg.	Volume Cu.M.
DMB025DG	95	200	15	230	200	120	355	215	230	18	20.5	0.030
DMB05D/G	110	195	15	245	210	130	390	215	245	23.5	26.0	0.030
DMB05D (3Ph)	105	195	15	245	210	130	385	215	245	25	27.5	0.030
DMB10DS/CS	175	195	15	245	215	130	450	215	245	31	34.0	0.039
DMB10DG/L	185	195	15	245	215	130	460	215	245	29.5	32.5	0.039
DMB10DG (3Ph)	130	195	15	245	245	130	405	215	245	27	29.5	0.039
DMB10ACS/CSG	165	195	15	245	245	130	445	215	245	30	32.5	0.039
DMB20	151	160	12	268	215	145	490	222	255	48.5	63.0	0.086

All flanges are with BSP threads.