

## SELF PRIMING COUPLED PUMPSET - 'DM' SERIES



Crompton Greaves Self Priming Pumpsets-'DM' series incorporate superior design to make them robust and long lasting. The Coupled range of pumps features a wide variety of models, to fulfil several domestic requirements, with the flexibility inherent in the coupled construction.

### Features

- Pump and Motor coupled with pin type flexible coupling mounted on common base plate.
- Self priming upto 8.0 metres at mean sea level.
- Sealing arrangement with stuffing box and gland packing.
- Drip Proof or Totally Enclosed Fan Cooled Motor.

### Applications

- Water supply for Bungalows, Buildings, Flats, Hotels, Garages, Laundries and Industries.
- Car washing.
- Booster application.
- Small farms.
- Lawn Sprinklers.
- Ornamental Fountains.

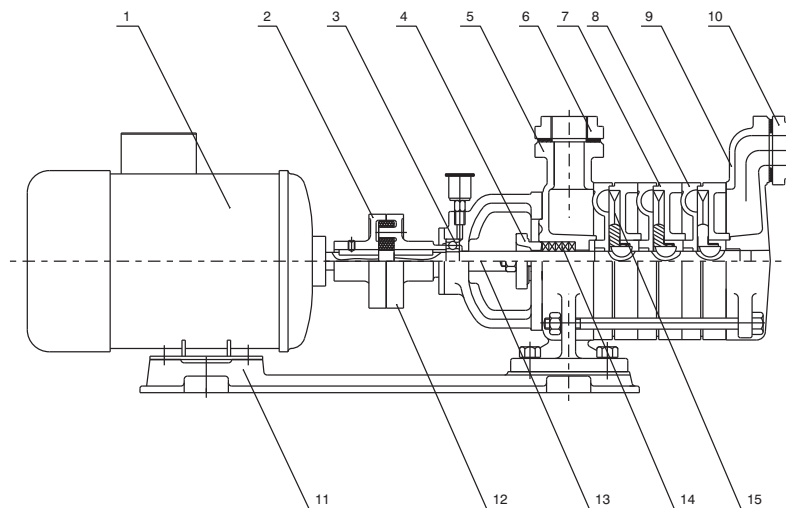
### Standard Specifications

- **Range** : 0.75 kW to 1.1 kW (1.0 HP to 1.5 HP).
- **Supply** : 225 Volts for 1 phase, 50Hz, AC.
- **Pipe Size** : 25 x 25 mm.
- **Total Head** : 18 to 57 metres.
- **Capacity** : Upto 2920 LPH.
- **Liquid**: Clear water
- **Rotation** : Clockwise as viewed from motor end.
- **Operating Temperature** : Suitable upto 65°C Water.

### Construction

- Dripproof/Totally Enclosed Fan Cooled, 4 pole (1500 RPM Syn. Speed) Electric Motor for 1 phase, 225 Volts, or 3 phase 415 Volts, 50 Hz, AC supply. Suitable for ambient temperature upto 40°C.
- Special motor with different enclosures, supply voltages, frequency and ambient can be offered on request.

### CONSTRUCTION



No.	PART	MATERIAL
1	Motor	-
2	Motor Coupling	Graded Cast Iron
3	Bearing Bracket	Graded Cast Iron
4	Gland	Graded Cast Iron
5	Delivery Chamber	Graded Cast Iron
6	Delivery Flange	Graded Cast Iron
7	Suction Casing	Graded Cast Iron
8	Delivery Casing	Graded Cast Iron
9	Suction Chamber	Graded Cast Iron
10	Suction Flange	Graded Cast Iron
11	Base Plate	Brass
12	Pump Coupling	Graded Cast Iron
13	Shaft	Stainless Steel (AISI 410)
14	Gland Packing	Threaded Graphite Cotton
15	Impeller	High Tensile Brass (HTB1)

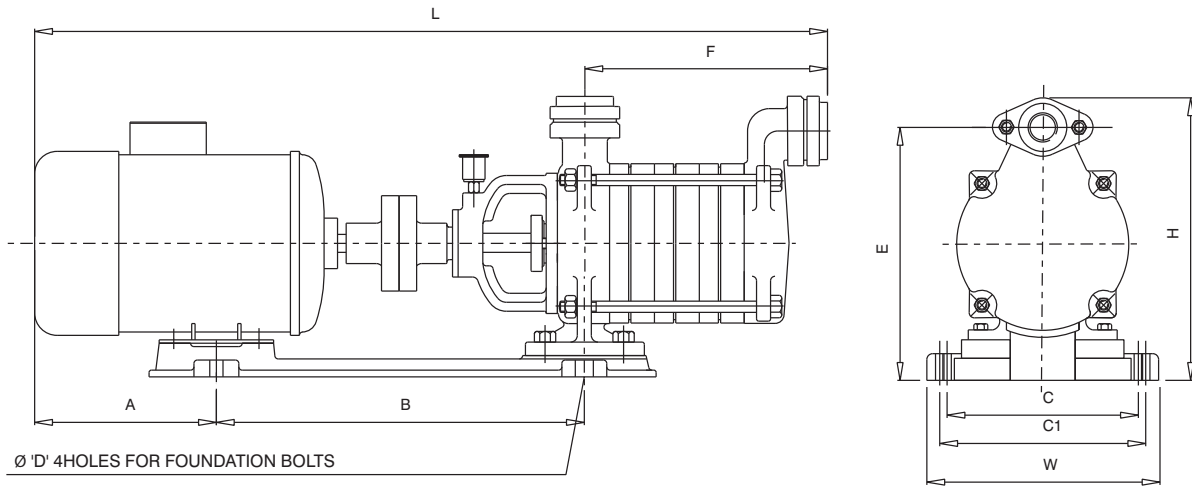
**PERFORMANCE CHART**

Rating	Motor kW (HP)	Pipe Size Suc. x Del. (mm)	Total Head In metres																
			9	12	15	18	21	24	27	30	33	36	39	42	45	48	51	54	57
			Discharge In LPH																
DM13T/G/ DM13TCS/ DM13TA	0.75 (1.0)	25 X 25				2260	2130	1990	1860	1710	1560	1410	1260	1080					
DM15T	1.1 (1.5)	25 X 25						2920	2840	2740	2630	2520	2400	2280	2150	2020	1880	1730	1540

**Notes :-**

1. The above performance is based on rated voltage (220+6%-15% for 1 Phase) and rated frequency (50Hz±3%).
2. The above performance is subjected to tolerances as per relevant Indian Standards.
3. Pipe sizes mentioned in mm are nearest conversion of inches, but actual pipe threadings are provided as per 'BSP' Standard.
4. Total Head = Static Suction + Static Delivery + Losses in pipes, bends etc.
5. Self priming time depends upon static suction, installation conditions and the duration of use of the pump.
6. All above ratings are with Motor in Drip Proof enclosure except DM13TA and DM15T which are with Motor in TEFC enclosure.

**DIMENSIONS & SHIPPING SPECIFICATIONS**



Rating	Dimensions (mm)										Shipping Specifications		
	A	B	C	C1	D	E	F	L	W	H	Net Weight Kg.	Gross Weight Kg.	Volume Cu.M.
DM13T/G	175	328	200	220	16	225	166	675	260	255	38.5	55.5	0.10
DM13TCS	185	328	200	220	16	225	166	690	260	255	39.5	56.5	0.10
DM13TA	165	340	200	220	16	225	166	670	260	255	40.5	57.5	0.10
DM15T	165	341	200	233	16	253	205	710	275	285	54	76.0	0.143

All flanges are with BSP threads.