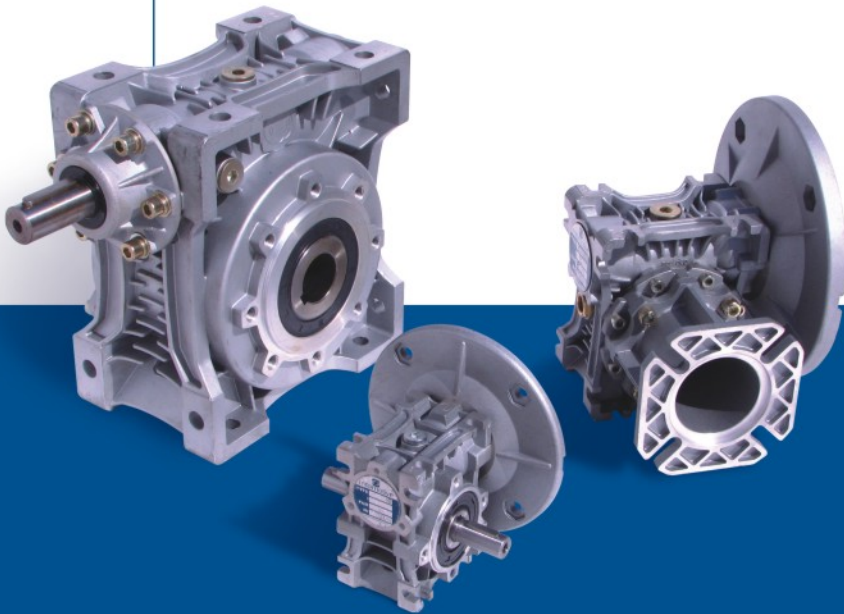


# BOX Series

## High Performance Worm Gearboxes



**rotomotive**  
*powerdrives*

Indo-Italian Joint Venture Company

- Taper roller bearings to withstand axial thrust
- Patented die-cast Aluminium housing
- Superfinished gears for low noise
- Synthetic lubrication
- Anti corrosion coating
- Breather plugs for cooler running
- Ribbed construction for high strength
- Assembled in a world class plant in India



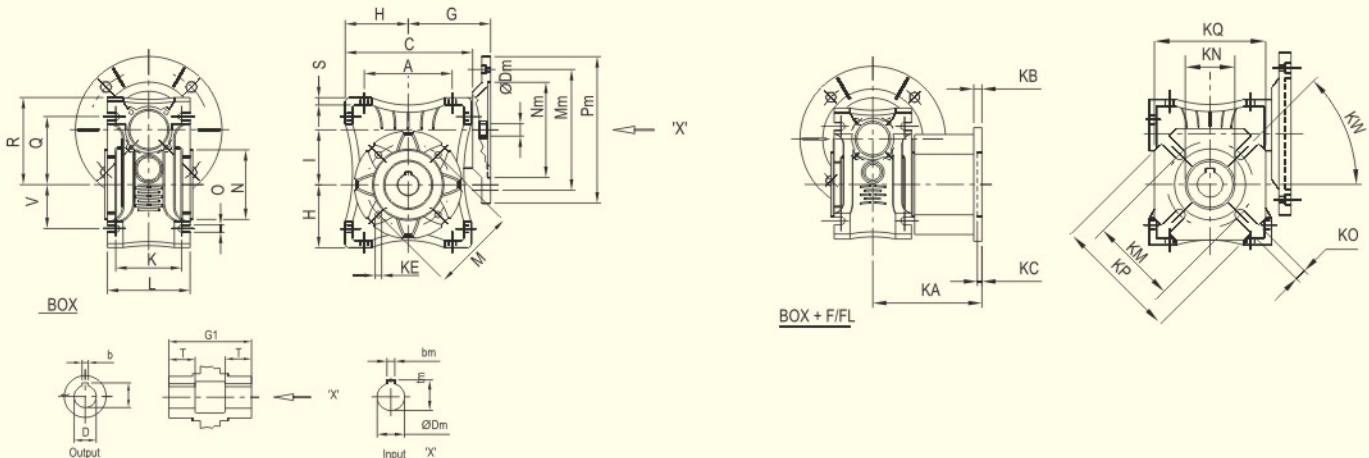
## DIMENSIONS OF BOX SERIES WORM GEARS

BOX TYPE	A	C	G	H	I	K	KE	L	M	N(h8)	O	Q	R	S	V	OUTPUT					OUTPUT FLANGE F/FL									Kgs	
																T	G1	D(H7)	b	t	TYPE	KA	KN (h8)	KC	KM	KO	KP	KQ	KB		KW
BOX025	45	70	40	35	25	34	M6.5 (n° 3)	42	55	45 (h9)	6	35.5	48	5	22.5	16	50	11	4	12.8	F	45	40	2.5	55	6.5	75	70	6	45°	0.8
BOX030	54	80	55	40	30	44	M6X11 (n° 3)	56	65	55	6.5	44	57	5.5	27	20	63	14	5	16.3	F	54.5	50	4	68	6.5	80	70	6	45°	1.3
BOX040	70	101	72	50	40	60	M6X10 (n° 4)	71	75	60	6.5	55	71.5	6.5	35	23	78	18 (19)	6	20.8 (21.8)	F/FL	67/97	60	4	75	9	110	95	7	45°	2.7
BOX050	80	121.5	89.5	60	50	70	M8X10 (n° 4)	85	85	70	8.5	64	84	7	40	30	92	25 (24)	8	28.3 (27.3)	F/FL	90.5/121	70	5	85	11	125	110	9	45°	3.6
BOX063	100	147.5	104.5	72	63	85	M8X14 (n° 8)	103	95	80	8.5	80	102	8	50	40	112	25 (28)	8	28.3 (31.3)	F/FL	99.5/111	115	6	150	11	180	142	10	45°	7.8
BOX075	120	174	114	86	75	90	M8X14 (n° 8)	113	115	95	11	93	119	10	60	50	120	28 (35)	8	31.3 (38.3)	F	111	130	6	165	14	200	170	13	45°	9
BOX090	140	208	129.5	103	90	100	M10X18 (n° 8)	130	130	110	13	102	135	11	70	50	140	35 (38)	10	38.3 (41.3)	F	111	152	6	175	14	210	200	13	45°	14
BOX110	170	252.5	153.5	128.5	110	115	M10X18 (n° 8)	144	165	130	14	125	168	15	85	60	155	42	12	45.3	F	139	170	6	220	14	270	250	15	45°	35

## INPUT AND COMBINATIONS

BOX TYPE	MOTOR TYPE	Nm	Mm	Pm	Dm	tm	bm	7.5	10	15	20	25	30	40	50	60	80	100
BOX025	56 B14	50	65	80	9	10.4	3											
	56 B14	50	65	80	9	10.4	3											
BOX030	56 B5	80	100	120	9	10.4	3											
	63 B5	95	115	140														
	63 B14	60	75	90	11	12.8	4											
BOX040	63 B5	95	115	140	11	12.8	4											
	63 B14	60	75	90	11	12.8	4											
	71 B5	110	130	160	14	16.3	5											
	71 B14	70	85	105	14	16.3	5											
BOX050	63 B5	95	115	140	11	12.8	4											
	71 B5	110	130	160	14	16.3	5											
	71 B14	70	85	105	14	16.3	5											
BOX063	80 B5	130	165	200	19	21.8	6											
	80 B14	80	100	120	19	21.8	6											
	90 B5	130	165	200	24	27.3	8											
	90 B14	95	115	140	24	27.3	8											
BOX075	80 B5	130	165	200	19	21.8	6											
	90 B5	130	165	200	24	27.3	8											
	100 B5	180	215	250	28	31.3	8											
	100 B14	110	130	160	28	31.3	8											
	112 B5	180	215	250	28	31.3	8											
BOX090	80 B5	130	165	200	19	21.8	6											
	90 B5	130	165	200	24	27.3	8											
	100 B14	110	130	160	28	31.3	8											
	100 B5	180	215	250	28	31.3	8											
	112 B5	180	215	250	28	31.3	8											
BOX110	90 B5	130	165	200	24	27.3	8											
	100 B5	180	215	250	28	31.3	8											
	112 B5	180	215	250	28	31.3	8											
	132 B5	230	265	300	38	41.3	10											

BOX 10.10 REV.02



(Designs being continuously improved, please re-confirm specifications & dimensions prior to ordering)



Indo-Italian Joint Venture Company

ROTOMOTIVE POWERDRIVES INDIA LTD. 2102 / 4, Vitthal Udhyognagar, Anand, Gujarat-388 121, INDIA.

Tel: +91-2692-230173, 230174 Fax: +91-2692-235209 E-mail: info@rotomotive .com www.rotomotive.com

Authorised Dealer

Tiger